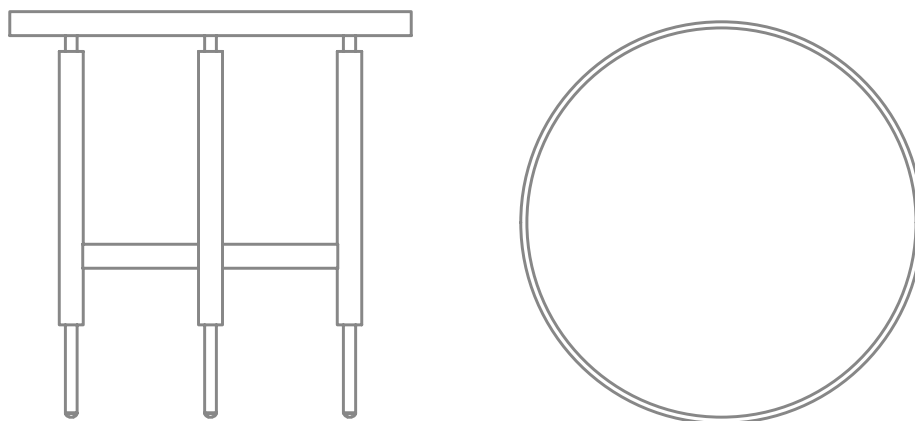


## **COLLIN** SIDE TABLE

THE SLENDER LEGS OF WOOD AND METAL, THE BEAUTIFUL CROSSING DETAILS AND A CONTRASTING SOLID WOOD TOP, PROVIDES A LARGE COMBINATION OF MATERIALS IN THESE SIDE TABLES. THEY COME IN TWO HEIGHTS, MULTIPLYING ITS POSSIBLE USES, SUCH AS A COMPLEMENT TO THE SOFAS OR TO ARMCHAIRS



# COLLIN SIDE TABLE



Ø 50 CM | 19,7"

H 55 CM | 21,6"

## PRODUCT FEATURES

TABLE TOP IN BLACK GLASS WITH AN OAK FRAME.  
LEGS IN OAK WITH METAL DETAILS.

## PRODUCT OPTIONS

WOOD FINISHES:

AVAILABLE IN ALL COLLECTOR'S WOOD SWATCHES.

AVAILABLE IN LACQUERED RAL COLORS, IN MATTE OR GLOSS.

METAL FINISHES:

AVAILABLE IN ALL COLLECTOR'S METAL SWATCHES.

AVAILABLE IN ALL RAL COLORS, IN MATTE OR GLOSS

THE RIGHT TO DISCONTINUE AND MAKE CHANGES IS RESERVED.

THIS INFORMATION IS BASED ON THE LATEST PRODUCT INFORMATION AVAILABLE AT THE TIME OF PRINTING.